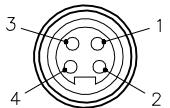


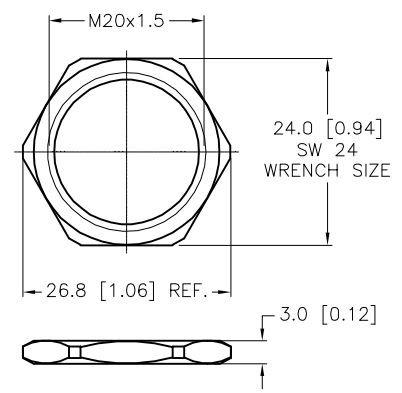
FEMALE END VIEW



- 1 = RED
- 2 = GREEN/YELLOW
- 3 = WHITE
- 4 = BLACK

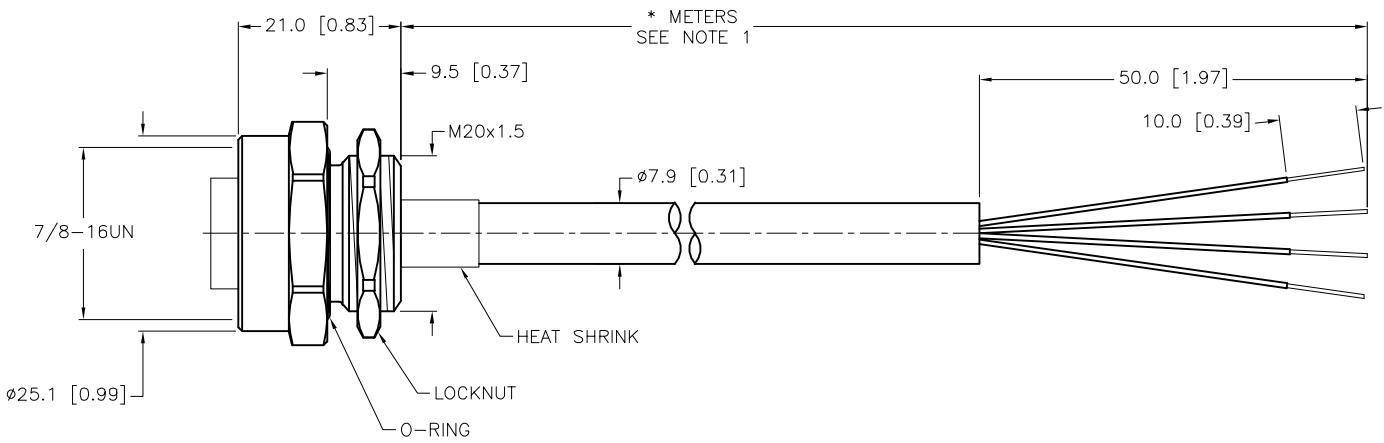
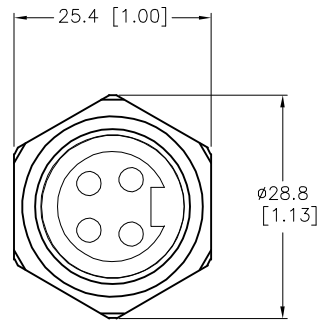


LOCKNUT



SPECIFICATIONS

CONTACT CARRIER MATERIAL	TPU
CONTACT MATERIAL/PLATING	BRASS/GOLD
HOUSING, LOCKNUT MATERIAL/FINISH	STAINLESS STEEL/PASSIVATED
O-RING MATERIAL	NITRILE
RATED CURRENT [A]	9.0 A
RATED VOLTAGE [V]	600 V
OUTER JACKET MATERIAL/COLOR	PVC/GRAY
CONDUCTOR INSULATION MATERIAL	PVC/NYLON (NYLON OVERCOAT)
NUMBERS OF CONDUCTORS [AWG]	4x18 AWG
TEMPERATURE RATING	-40°C to +90°C (-40°F to +194°F)
PROTECTION CLASS	NEMA 1,3,4,4X,6P,12 & IEC IP67,IP68,IP69,IP69K
CABLE RATING	UL: ITC-ER/PLTC-ER, DIRECT BURIAL, 105C CSA: CIC/TC, 90C, 600V C(UL) 22.2 No. 245/1309 MARINE SHIPBOARD; IEEE 1202/FT4; IEEE 1580-2010; IEC 60332-3-22; -40C COLD BEND



CABLE LENGTH	TOLERANCE*
ALL LENGTHS	+ 4% (OR 50mm) OF LENGTH - 0% (OR 0mm) OF LENGTH WHICHEVER IS GREATER
STRIP LENGTH	TOLERANCE*
0-7mm	±0.5mm
8-29mm	±1.0mm
30-49mm	±2.0mm
50-69mm	±3.0mm
70-100mm	±4.0mm
OVER 100mm	±5.0mm

\* UNLESS OTHERWISE SPECIFIED

- NOTES:
- "\*" INDICATES CABLE LENGTH IN METERS. CONTACT TURCK TO ORDER SPECIFIC LENGTHS.
  - PANEL CUTOUT RECOMMENDATION: 21mm DIAMETER.

SOURCE DRAWING - FOR REFERENCE ONLY

RELATED DOCUMENTS	3RD ANGLE PROJECTION	THIS DRAWING IS CONFIDENTIAL AND THE PROPERTY OF TURCK INC. USE OF THIS DOCUMENT WITHOUT WRITTEN PERMISSION IS PROHIBITED.		3000 CAMPUS DRIVE MINNEAPOLIS, MN 55441 1-800-544-7769 (763) 553-7300 (763) 553-0708 fax www.turck.us	
1.		DRFT	RDS	DATE	04/22/10
2.		APVD		SCALE	1=1.0
3.	ALL DIMENSIONS DISPLAYED ON THIS DRAWING ARE FOR REFERENCE ONLY	UNIT OF MEASUREMENT			DESCRIPTION P-RKFV 445-196-*/M20
4.		MILLIMETER [ INCH ]			
MATERIAL	CONTACT TURCK FOR MORE INFORMATION	IDENTIFICATION NO.			REV
SEE SPECIFICATIONS					H
FINISH	SEE SPECIFICATIONS	DO NOT SCALE THIS DRAWING			FILE: 777026576
					SHEET 1 OF 1

H	UPDATE NOTES	RDS	05/21/21	76743
REV	DESCRIPTION	BY	DATE	ECO NO.